

Sizing and Fit

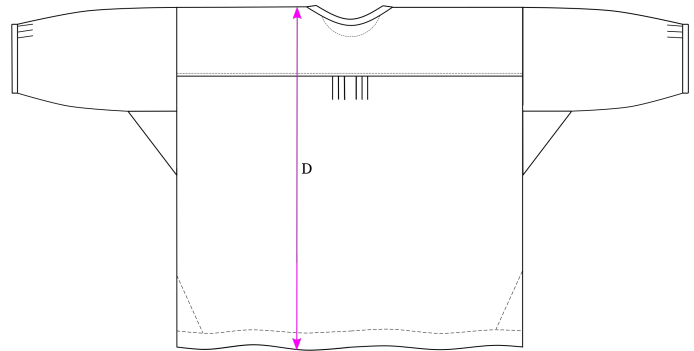
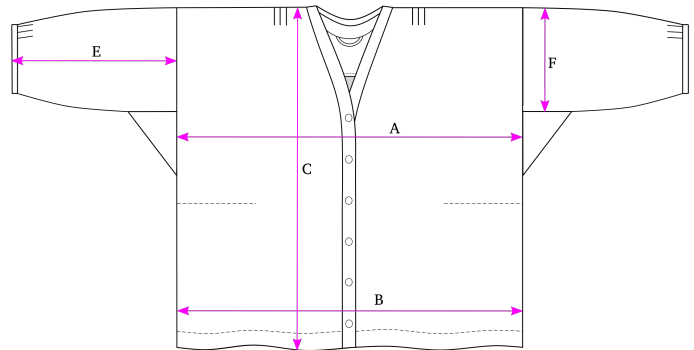
SIZE 1 intended to fit bust: 32" | 81cm – 44" | 112cm

SIZE 2 intended to fit bust: 46" | 117cm – 56" | 142cm

View A - Tunic

	Size 1	Size 2
A: Bust	29" 74cm	35" 90cm
B: Hip	29" 74cm	35" 90cm
C: Length	29" 74cm	34" 87cm
D: Back Length	29" 74cm	34" 87cm
E: Sleeve Length	13.5" 34cm	14" 36cm
F: Sleeve at Bicep	8.5" 21 cm	9.5" 24cm

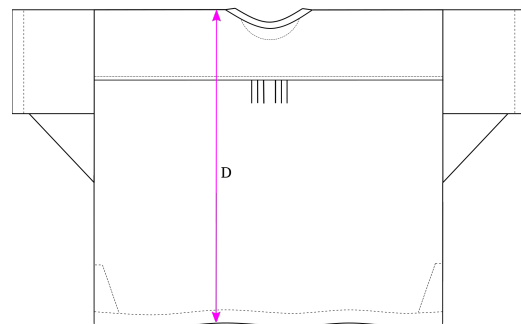
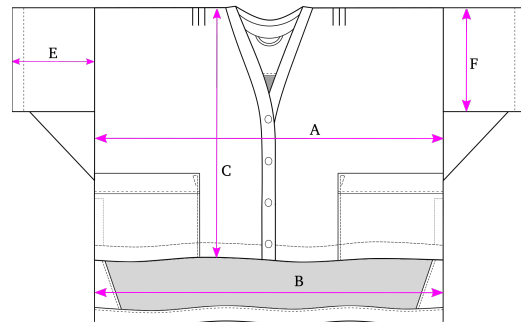
Finished Measurements – Taken Flat



View B – Cropped Top

	Size 1	Size 2
A: Bust	29" 74cm	35" 90cm
B: Hip	29" 74cm	35" 90cm
C: Length	20" 51cm	23" 59cm
D: Back Length	25" 64cm	28" 72cm
E: Sleeve Length	6" 15.5cm	8" 20.5cm
F: Sleeve at Bicep	8" 20.5cm	10.5" 26cm

Finished Measurements – Taken Flat



***Note:** If hip measurement is larger than bust, use hip measurement.